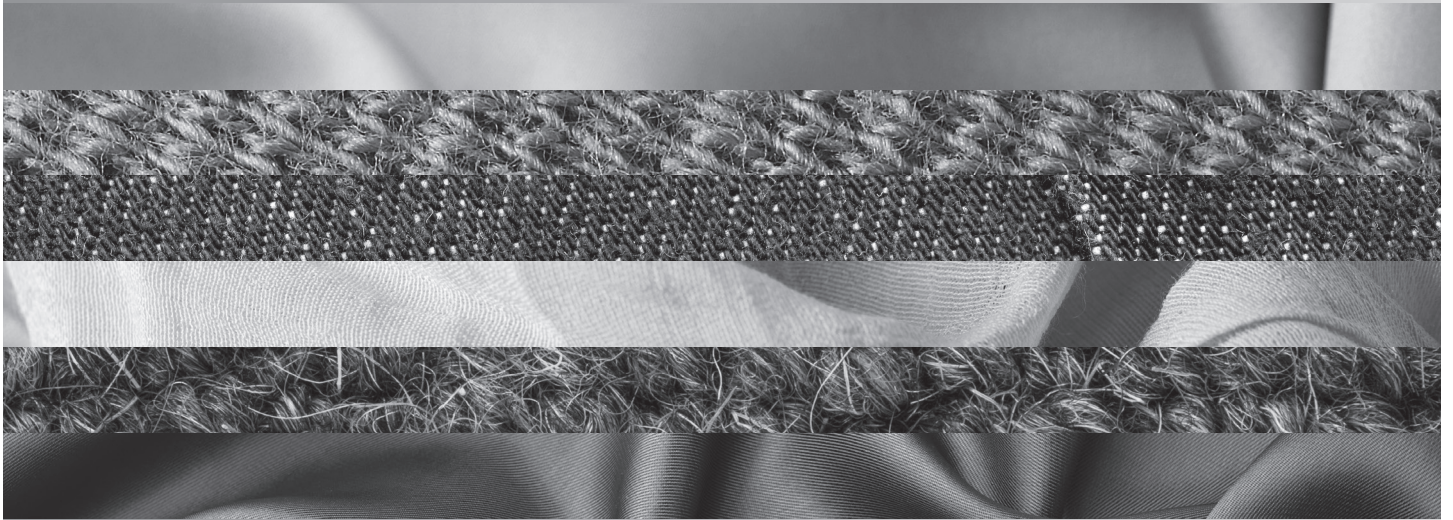




Bienvenidos a la
lavandería industrial

Welcome to the
industrial laundry



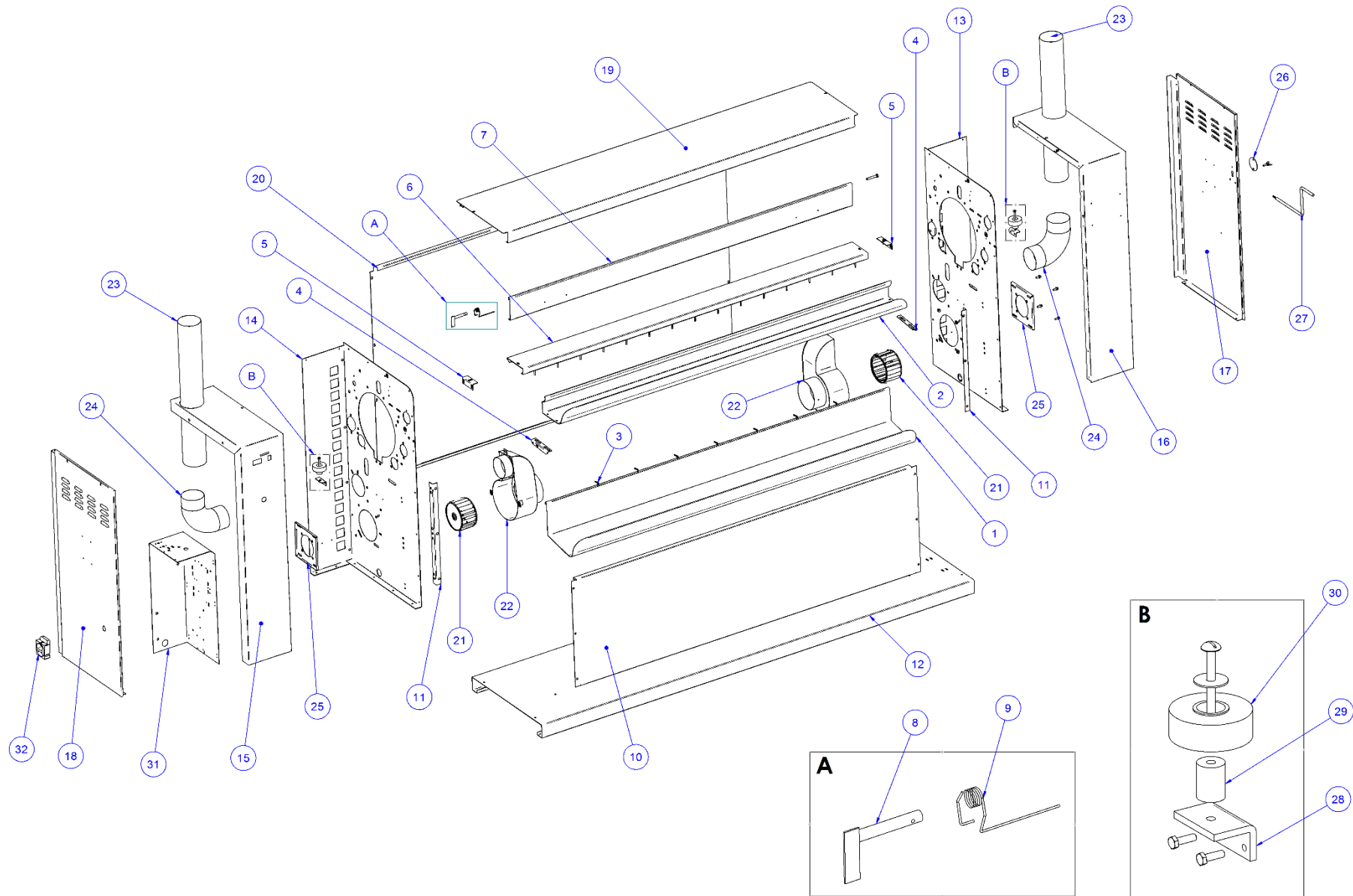
SPARE PARTS MANUAL
DESPIECE TECNICO
CATALOGUE PIECES DETACHEES

C-140/32 - C-160/32 - C-200/32

SUMMARY / SUMARIO / SOMMAIRE

Exploded view / Vista en despiece / Vue éclatée	P.
SHEET METAL FORMACION DE METAL TOLERIE	3
ROLLS RODILLOS SATELLITE	6
TEXTILE TEXTIL TEXTILE	8
LEFT SIDE LADO IZQUIERDO COTE GAUCHE	10
RIGHT SIDE LADO DERECHO COTE DROIT	12
ELECTRICAL HEATING CALEFACCION ELECTRICA CHAUFFAGE ELECTRIQUE	14
GAS HEATING (Atmospheric) CALEFACCION GAS (Atmosférico) CHAUFFAGE GAZ (Atmosphérique)	16
RADIANT BURNER - GAS HEATING CALEFACCION GAS – RADIANT BURNER CHAUFFAGE GAZ - RADIANT BURNER	18
ELECTRICAL DIAGRAM DIAGRAMA ELECTRICO SCHEMA ELECTRIQUE	20
LEGEND AND REFERENCES OF ELECTRICAL COMPONENTS LEYENDA Y REFERENCIAS DE LOS COMPONENTES ELECTRICOS LEGENDE ET REFERENCES DES COMPOSANTS ELECTRIQUES	22

SHEET METAL / FORMACION DE METAL / TOLERIE

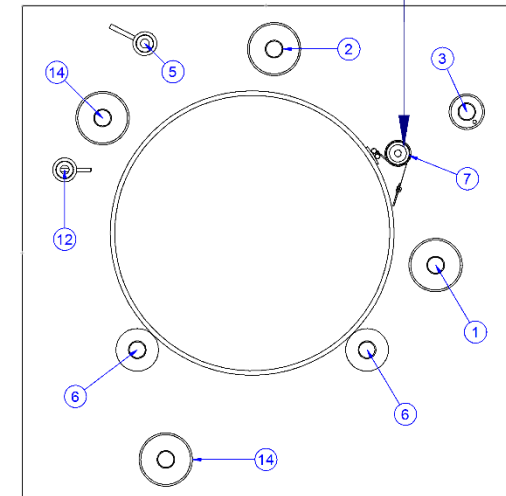
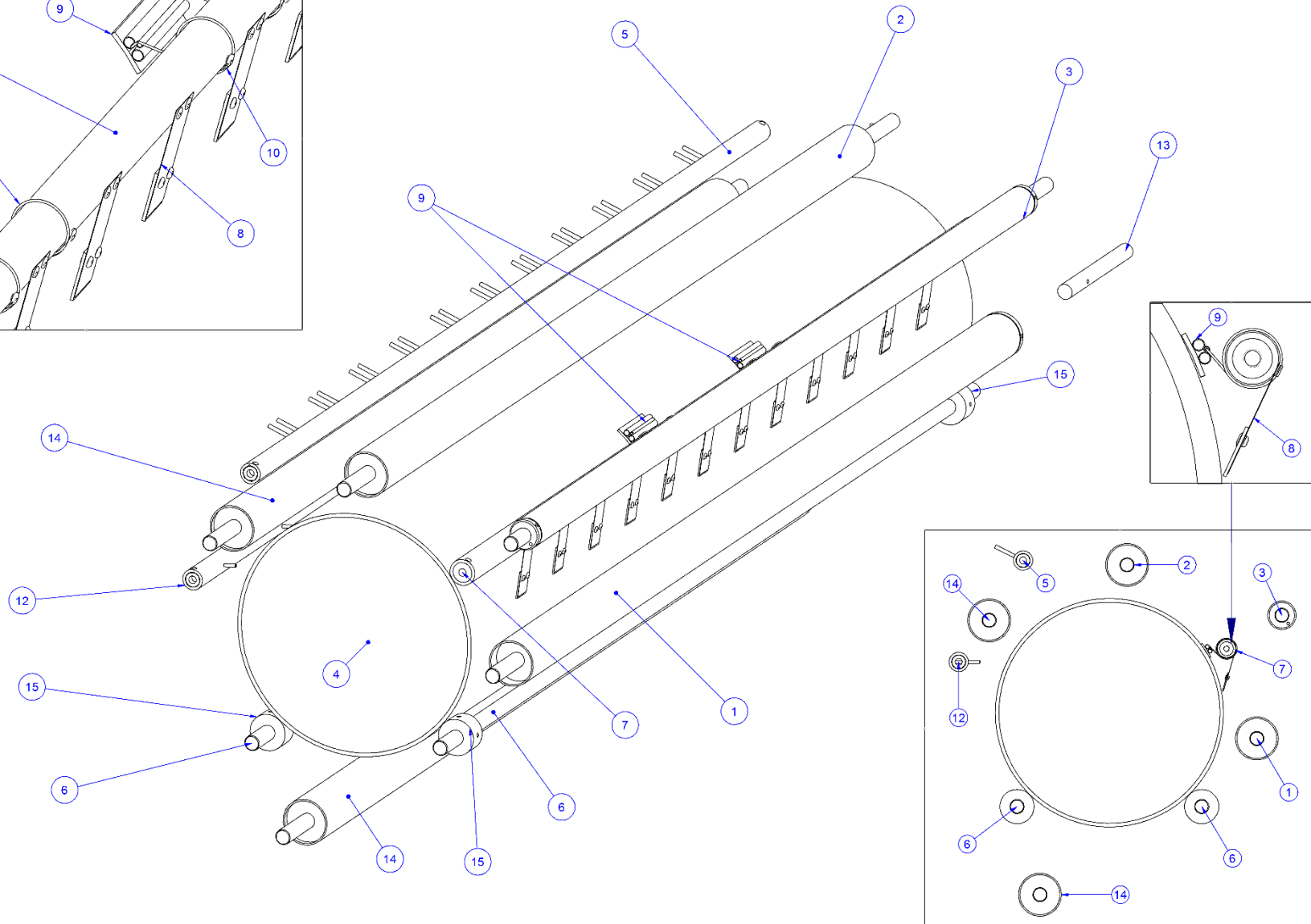
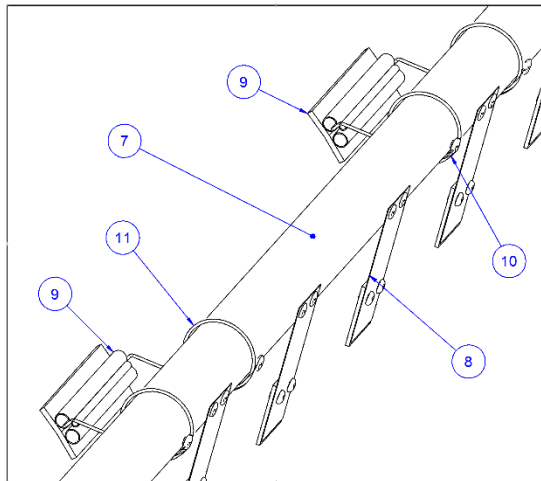


SHEET METAL / FORMACION DE METAL / TOLERIE

ITEM	REFERENCE	DESCRIPTION EN	DESCRIPTION SP	DESCRIPTION FR	C-140/32	C-160/32	C-200/32	REC.
	TOL DEL.2 1419	COLLECTION TRAY	CHAPA DE RECEPCIÓN	BAC DE RECEPTION	1			
1	TOL DEL.2 1605	COLLECTION TRAY	CHAPA DE RECEPCIÓN	BAC DE RECEPTION		1		
	TOL DEL.2 2005	COLLECTION TRAY	CHAPA DE RECEPCIÓN	BAC DE RECEPTION			1	
	TOL DEL.2 1418	INTRODUCTION TRAY	CHAPA DE RECEPCIÓN	BAC D'ENGAGEMENT	1			
2	TOL DEL.2 1604	INTRODUCTION TRAY	CHAPA DE INTRODUCCIÓN	BAC D'ENGAGEMENT		1		
	TOL DEL.2 2004	INTRODUCTION TRAY	CHAPA DE INTRODUCCIÓN	BAC D'ENGAGEMENT			1	
3	VIS SER 0130	SPRING GUIDE SHEET	MUELLE GUIA ROPA	RESSORT GUIDE DRAP	6	7	9	
4	TOL MAX.2 0019	INTRODUCTION TRAY SUPPORT BRACKET	ANGULO SOPORTE CHAPA INTRO.	EQUERRE SUPPORT BAC D'ENGAGEMENT	2	2	2	
5	TOL RAB 1403	SUPPORTING HOOK FOR LOADING TABLE	PATAS FIJACIÓN BANDEJA INTRO.	PATTE DE FIXATION TABLETTE D'ENGAGEMENT	2	2	2	
	TOL DEL.2 1417	LOADING TABLE	BANDEJA INTRO.	TABLETTE D'ENGAGEMENT	1			
6	TOL DEL.2 1603	LOADING TABLE	BANDEJA INTRO.	TABLETTE D'ENGAGEMENT		1		
	TOL DEL.2 2003	LOADING TABLE	BANDEJA INTRO.	TABLETTE D'ENGAGEMENT			1	
	TOL DEL.2 1413	SECURITY TABLET	BARRA SEGURIDAD	TABLETTE DE SECURITE	1			
7	TOL DEL.2 1611	SECURITY TABLET	BARRA SEGURIDAD	TABLETTE DE SECURITE		1		
	TOL DEL.2 2011	SECURITY TABLET	BARRA SEGURIDAD	TABLETTE DE SECURITE			1	
8	TOL DEL 1418	SECURITY TABLET SHEET	PATA BANDEJA SEGURIDAD	PATTE TABLETTE DE SECURITE	1	1	1	
9	QUI NCA 0276	SECURITY TABLET SPRING	MUELLE BANDEJA SEGURIDAD	RESSORT TABLETTE DE SECURITE	1	1	1	
	TOL DEL.2 1415	FRONT PANEL	PANEL FRONTAL	PANNEAU AVANT	1			
10	TOL DEL.2 1601	FRONT PANEL	PANEL FRONTAL	PANNEAU AVANT		1		
	TOL DEL.2 2001	FRONT PANEL	PANEL FRONTAL	PANNEAU AVANT			1	
11	TOL RAB 1408	FRONT PANEL FIXATION BRACKET	ANGULO FIJACIÓN PANEL FRONTAL	EQUERRE FIXATION PANNEAU AVANT	2	2	2	
	TOL DEL.2 1414	BASE	BASE	SOCLE	1			
12	TOL DEL.2 1600	BASE	BASE	SOCLE		1		
	TOL DEL.2 2000	BASE	BASE	SOCLE			1	
13	TOL DEL.2 1410	RIGHT FRAME	FLANCO DERECHO	BATI DROIT	1	1	1	
14	TOL DEL.2 1401	LEFT FRAME	FRANCO IZQUIERDO	BATI GAUCHE	1	1	1	
15	TOL DEL.2 1407	LEFT FRAME TRIM	REVESTIMIENTO FLANCO IZQUIERDO	HABILLAGE BATI GAUCHE	1	1	1	
16	TOL DEL.2 1406	RIGHT FRAME TRIM	REVESTIMIENTO FLANCO DERECHO	HABILLAGE BATI DROIT	1	1	1	
17	TOL DEL.2 1410	RIGHT SIDE PANEL	PANEL LATERAL DERECHO	PANNEAU COTE DROIT	1	1	1	
18	TOL DEL.2 1411	LEFT SIDE PANEL	PANEL LATERAL IZQUIERDO	PANNEAU COTE GAUCHE	1	1	1	
	TOL DEL.2 1416	TOP PANEL	PANEL SUPERIOR	PANNEAU DE DESSUS	1			
19	TOL DEL.2 1602	TOP PANEL	PANEL SUPERIOR	PANNEAU DE DESSUS		1		
	TOL DEL.2 2002	TOP PANEL	PANEL SUPERIOR	PANNEAU DE DESSUS			1	
	TOL RAB 1424	REAR PANEL	PANEL POSTERIOR	PANNEAU ARRIERE	1			
20	TOL RAB 1602	REAR PANEL	PANEL POSTERIOR	PANNEAU ARRIERE		1		
	TOL RAB 2002	REAR PANEL	PANEL POSTERIOR	PANNEAU ARRIERE			1	
21	MEC RAB 0016	FAN	VENTILADOR I	TURBINE DE VENTILATION	1 ; 2	1 ; 2	2	
22	TOL DEL.2 1402	LEFT VENTILATION WINDING	CAJA VENTILACIÓN	ESCARGOT DE VENTILATION	1 ; 2	1 ; 2	2	
23	QUI NCA 0078	EXHAUST TUBE	TUBO EVACUACIÓN HUMOS	CONDUIT EVACUATION BUEES	1 ; 2	1 ; 2	2	
24	QUI-NCA-0077	EXHAUST TUBE BEND	CODO EVACUACIÓN HUMOS	COUDE EVACUATION BUEES	1 ; 2	1 ; 2	2	
25	TOL RAB 1406	FAN MOTOR SUPPORT	SOPORTE MOTOR VENTILACIÓN	SUPPORT MOTEUR DE VENTILATION	1 ; 2	1 ; 2	2	
26	TOL DEL 1429	CRANK HANDLE SHEET	PALETA SEGURIDAD MANIVELA	PALETTE SECURITE MANIVELLE	1	1	1	
27	MEC TOU 0006	CRANK	MANIVELA	MANIVELLE	1	1	1	

ITEM	REFERENCE	DESCRIPTION EN	DESCRIPTION SP	DESCRIPTION FR				REC.
					C-140/32	C-160/32	C-200/32	
28	TOL MAX.2+ 0054	LATERAL ROLL SUPPORT BRACKET	FIJACIÓN SOPORTE	EQUERRE SUPPORT GALET LATERAL	2	2	2	
29	MEC RAB 0003	LATERAL ROLL AXLE	EJE RODILLO LATERAL	AXE GALET LATERAL	2	2	2	
30	MEC RAB 0050	LATERAL ROLL	RODILLO LATERAL	GALET LATERAL	2	2	2	X
31	TOL RAB 1410	ELECTRICAL COMPONENTS SUPPORT	SOPORTE COMPONENTES ELECTRICOS	PLATINE SUPPORT APPAREILLAGE	1	1	1	
	ELE INT 0056	MAIN SWITCH (GAS HEATING)	SECCIONADOR (CALEFACION GAS)	SECTIONNEUR (CHAUFFFAGE GAZ)	1	1	1	X
	ELE INT 0056	MAIN SWICTH (ELEC. HEATING) 400V TRI+N	SECCIONADOR (CALEFACION ELEC.) 400V TRI+N	SECTIONNEUR (CHAUFFFAGE ELEC.) 400V TRI+N	1	1		X
32	ELE INT 0030	MAIN SWICTH (ELEC. HEATING) 400V TRI+N	SECCIONADOR (CALEFACION ELEC.) 400V TRI+N	SECTIONNEUR (CHAUFFFAGE ELEC.) 400V TRI+N			1	X
	ELE INT 0030	MAIN SWICTH (ELEC. HEATING) 230V TRI	SECCIONADOR (CALEFACION ELEC.) 230V TRI	SECTIONNEUR (CHAUFFFAGE ELEC.) 230V TRI	1			X
	ELE INT 0035	MAIN SWICTH (ELEC. HEATING) 230V TRI	SECCIONADOR (CALEFACION ELEC.) 230V TRI	SECTIONNEUR (CHAUFFFAGE ELEC.) 230V TRI		1	1	X
32'	ELE INT 0032	NEUTRAL MAIN SWITCH	NEUTRAL SECCIONADOR	NEUTRE SECTIONNEUR	1	1	1	X

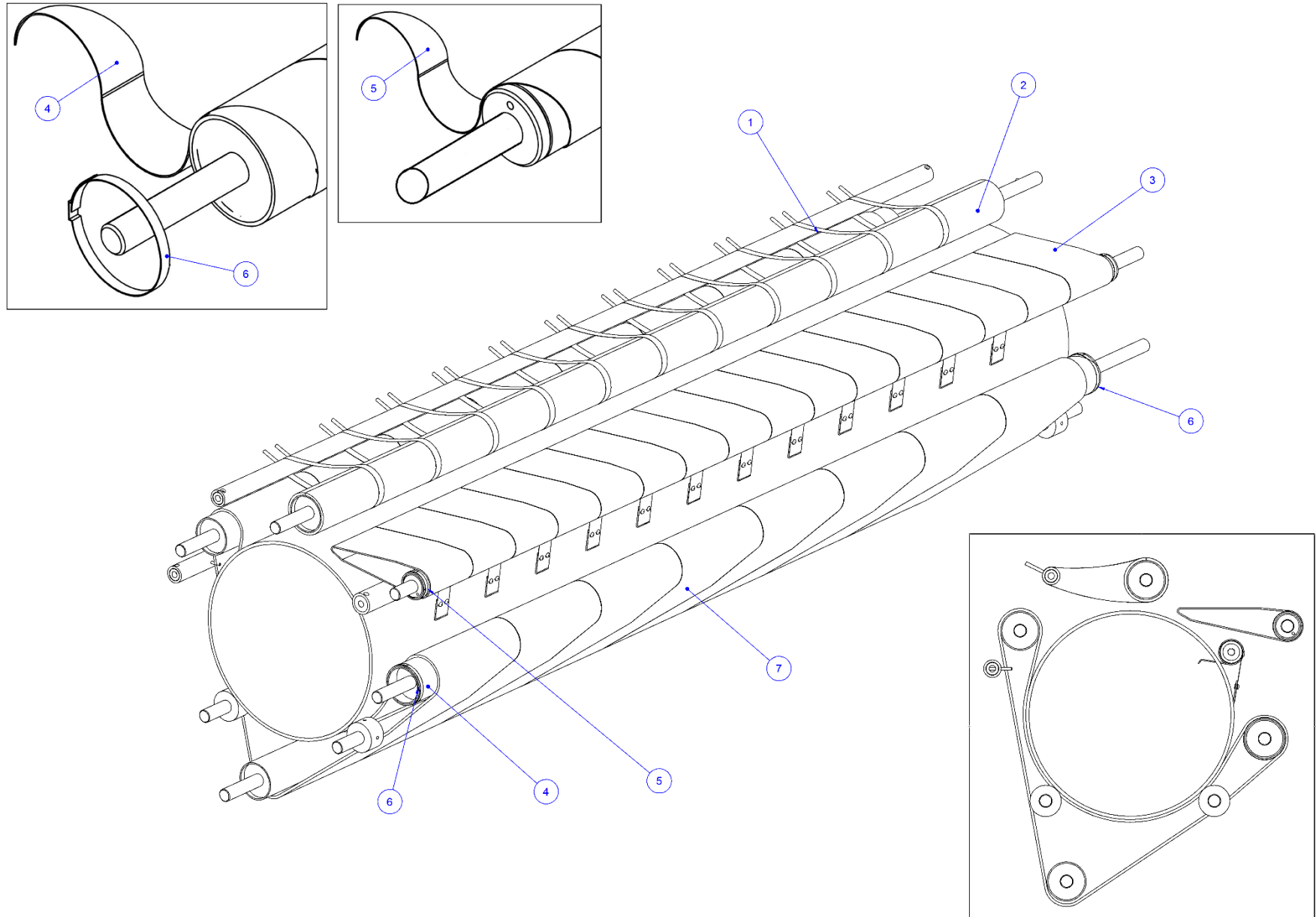
ROLLS / RODILLOS / SATELLITE



ROLLS / RODILLOS / SATELLITE

ITEM	REFERENCE	DESCRIPTION EN	DESCRIPTION SP	DESCRIPTION FR	C-140/32	C-160/32	C-200/32	REC.
1	TOL RAB 1450	IRONING BELTS ROLL	RODILLO BANDAS SECADO	SATELLITE BANDES DE REPASSAGE	1			
	TOL RAB 1620	IRONING BELTS ROLL	RODILLO BANDAS SECADO	SATELLITE BANDES DE REPASSAGE		1		
	TOL RAB 2017	IRONING BELTS ROLL	RODILLO BANDAS SECADO	SATELLITE BANDES DE REPASSAGE			1	
2	TOL RAB 1444	PRESSURE ROLL	RODILLO PRENSOR	SATELLITE PRESSEUR	1			
	TOL RAB 1618	PRESSURE ROLL	RODILLO PRENSOR	SATELLITE PRESSEUR		1		
	TOL RAB 2016	PRESSURE ROLL	RODILLO PRENSOR	SATELLITE PRESSEUR			1	
3	TOL RAB 1438	FEEDER ROLL	RODILLO INTRODUCCIÓN	SATELLITE D'ENGAGEMENT	1			
	TOL RAB 1615	FEEDER ROLL	RODILLO INTRODUCCIÓN	SATELLITE D'ENGAGEMENT		1		
	TOL RAB 2014	FEEDER ROLL	RODILLO INTRODUCCIÓN	SATELLITE D'ENGAGEMENT			1	
4	TOL RAB 1432	IRONING CYLINDER (ELEC AND GAS)	CILINDRO REPASO (ELEC/GAS)	CYLINDRE DE REPASSAGE (ELEC et GAZ)	1			
	TOL RAB 1610	IRONING CYLINDER (ELEC AND GAS)	CILINDRO REPASO (ELEC/GAS)	CYLINDRE DE REPASSAGE (ELEC et GAZ)		1		
	TOL RAB 2009	IRONING CYLINDER (ELEC AND GAS)	CILINDRO REPASO (VAP)	CYLINDRE DE REPASSAGE (ELEC et GAZ)			1	
5	TOL RAB 1434	BRAID GUIDING ROD	GUIA GALÓN	BARRE GUIDE GALLON	1			
	TOL RAB 1612	BRAID GUIDING ROD	GUIA GALÓN	BARRE GUIDE GALLON		1		
	TOL RAB 2011	BRAID GUIDING ROD	GUIA GALÓN	BARRE GUIDE GALLON			1	
6	TOL RAB 1441	SUPPORT ROLLER ROD	EJE SOPORTE RODILLO	AXE SUPPORT GALET PORTEUR	2			
	TOL RAB 1617	SUPPORT ROLLER ROD	EJE SOPORTE RODILLO	AXE SUPPORT GALET PORTEUR		2		
	TOL RAB 2018	SUPPORT ROLLER ROD	EJE SOPORTE RODILLO	AXE SUPPORT GALET PORTEUR			2	
7	TOL RAB 1433	LIFTING TEFLON BLADE ROLL	BARRA SOPORTE HOJAS	BARRE SUPPORT DECOLLEURS	1			
	TOL RAB 1614	LIFTING TEFLON BLADE ROLL	BARRA SOPORTE HOJAS	BARRE SUPPORT DECOLLEURS		1		
	TOL RAB 2015	LIFTING TEFLON BLADE ROLL	BARRA SOPORTE HOJAS	BARRE SUPPORT DECOLLEURS			1	
8	TOL DEL 1425	LIFTING TEFLON BLADE	HOJA TEFLON	LAME DECOLLEUR TEFLON	11	13	17	X
9	TOL DEL.2 1409	SENSOR SUPPORT	SOPORTE SENSOR	PALPEUR	2	2	2	X
10	QUI NCA 0564	RIGHT SENSOR SUPPORT SPRING	MUELLE SOPORTE SENSOR DERECHO	RESSORT PALPEUR DROIT	2	2	2	X
11	QUI NCA 0564	LEFT SENSOR SUPPORT SPRING	MUELLE SOPORTE SENSOR IZQUIERDO	RESSORT PALPEUR GAUCHE	2	2	2	X
12	TOL RAB 1429	BELTS GUIDE	GUIA BANDAS	GUIDE BANDE	1			
	TOL RAB 1607	BELTS GUIDE	GUIA BANDAS	GUIDE BANDE		1		
	TOL RAB 2010	BELTS GUIDE	GUIA BANDAS	GUIDE BANDE			1	
13	MEC RAB 0029	FEEDER ROLL RIGHT AXLE	EJE RODILLO INTRODUCCIÓN	AXE DROIT SATELLITE D'ENTRAINEMENT	1	1	1	
	TOL RAB 1439	IRONING BELTS ROLL	RODILLO BANDAS SECADO	SATELLITE BANDES DE REPASSAGE	2			
14	TOL RAB 1616	IRONING BELTS ROLL	RODILLO BANDAS SECADO	SATELLITE BANDES DE REPASSAGE		2		
	TOL RAB 2013	IRONING BELTS ROLL	RODILLO BANDAS SECADO	SATELLITE BANDES DE REPASSAGE			2	
15	MEC RAB 0001	SUPPORT ROLLER	RODILLO DE SOPORTE	GALET PORTEUR	4	4	4	X

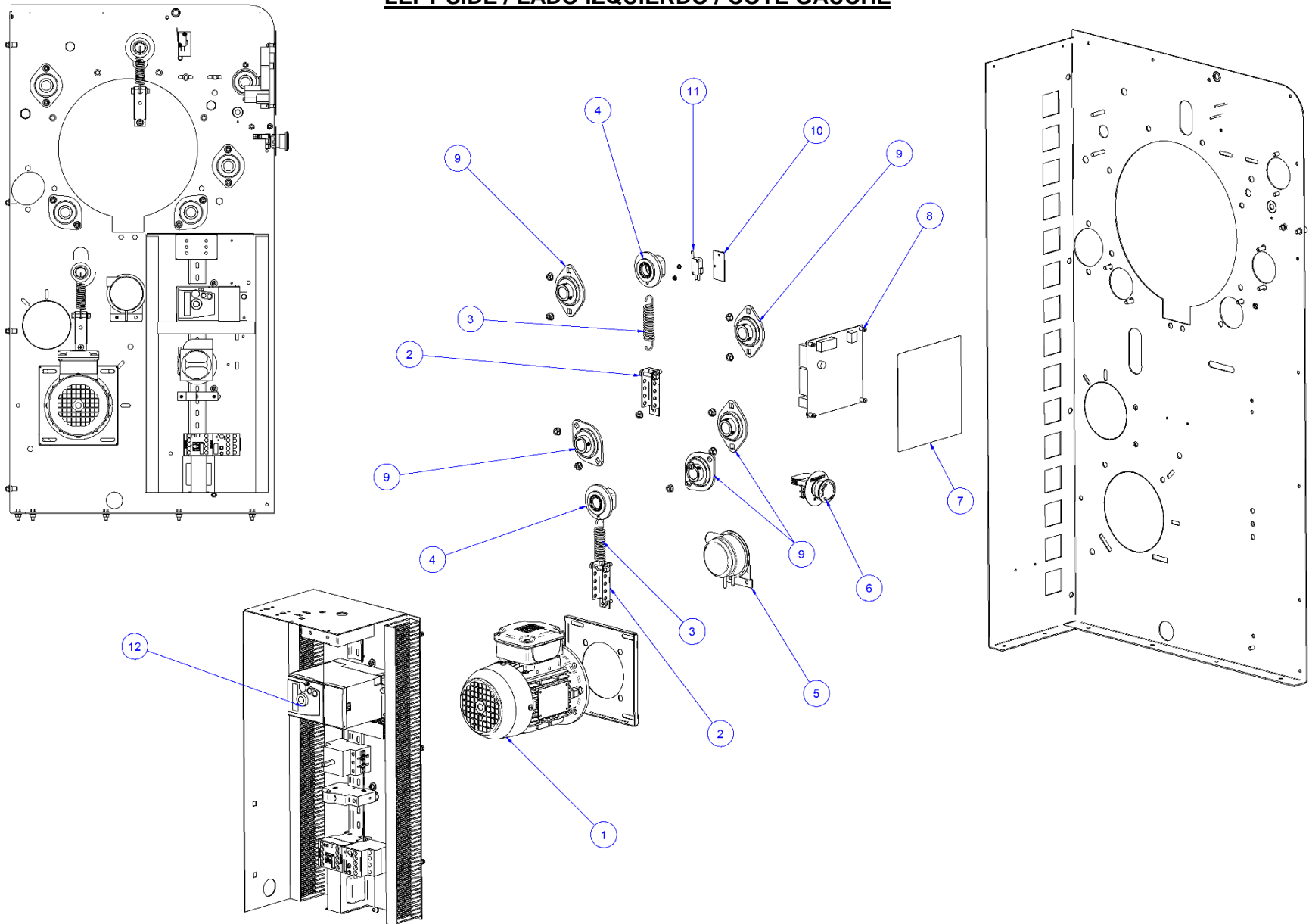
TEXTILE / TEXTIL / TEXTILE



TEXTILE / TEXTIL / TEXTILE

ITEM	REFERENCE	DESCRIPTION EN	DESCRIPTION SP	DESCRIPTION FR	C-140/32	C-160/32	C-200/32	REC.
1	QUI NCA 0536	BRAID	GALÓN GUIA (metros)	GALON GUIDE (en mètre)	7	8	10	X
	QUI NCA 0474	PRESSURE COVER PAD	FELPA PRENSOR	MOLLETON PRESSEUR	1			X
2	QUI NCA 0475	PRESSURE COVER PAD	FELPA PRENSOR	MOLLETON PRESSEUR		1		X
	QUI NCA 0476	PRESSURE COVER PAD	FELPA PRENSOR	MOLLETON PRESSEUR			1	X
3	QUI NCA 0086	FEEDER BELT	BANDA INTRODUCCIÓN	BANDE D'ENGAGEMENT	12	14	17	
4	QUI NCA 0088	FEEDER ROLL ADHESIVE STRIP (in meter)	CINTA ADHESIVA RODILLO INTRODUCCIÓN (metros)	BANDE ADHERENTE SATELLITE D'ENGAGEMENT (en mètre)	4	5	6	X
5	QUI NCA 0088	DRIVING ROLL ADHESIVE STRIP (in meter)	CINTA ADHESIVA RODILLO TRANSPORTE(metros)	BANDE ADHERENTE SATELLITE D'ENTRAINEMENT (en mètre)	6	7	8	X
6	QUI NCA 0349	CLAMP	ABRAZADERA	COLLIER DE SERRAGE	4	4	4	
7	QUI NCA 0087	IRONING BELT	BANDAS DE REPASO	BANDE DE REPASSAGE	7	8	10	X

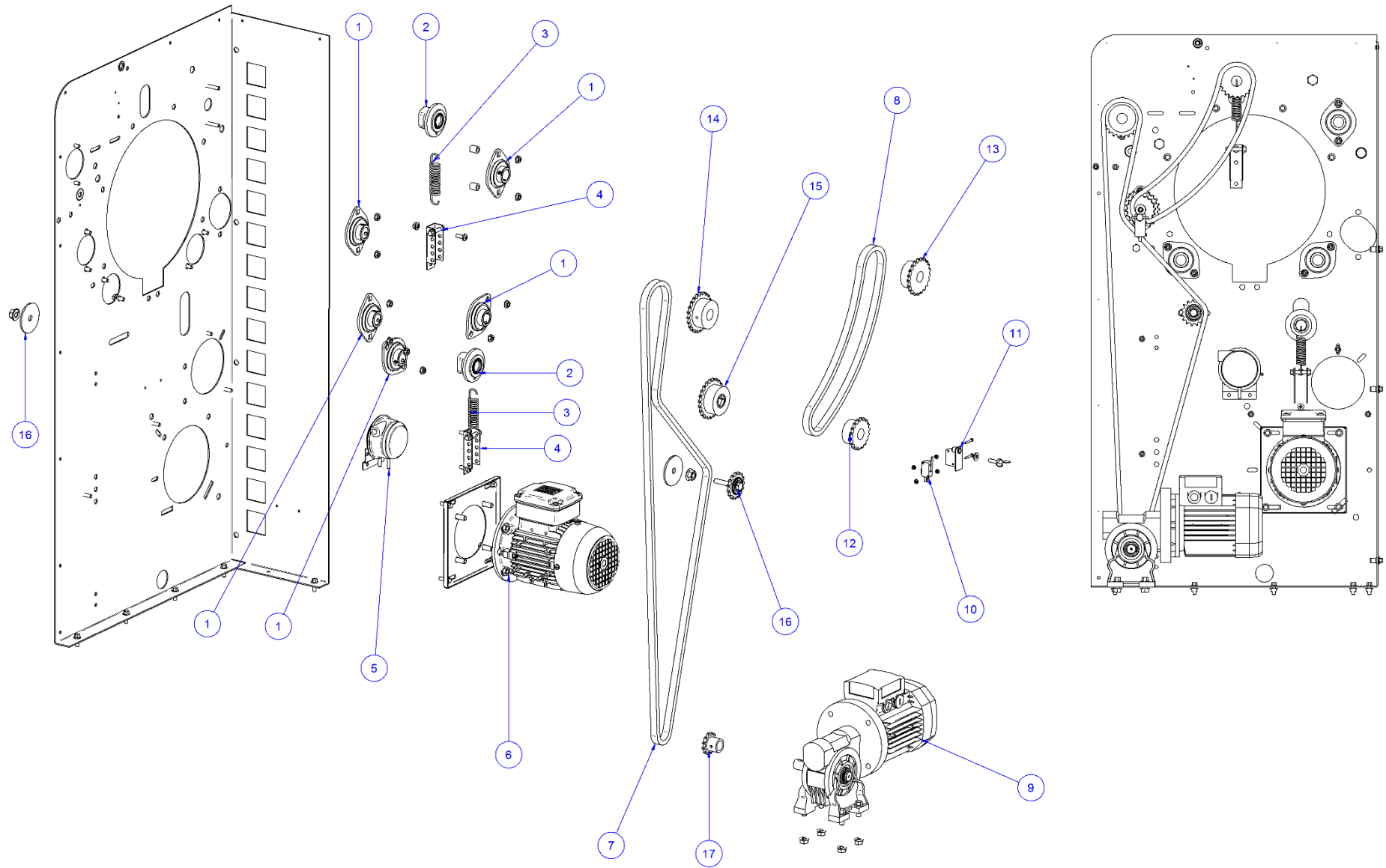
LEFT SIDE / LADO IZQUIERDO / COTE GAUCHE



LEFT SIDE / LADO IZQUIERDO / COTE GAUCHE

ITEM	REFERENCE	DESCRIPTION EN	DESCRIPTION SP	DESCRIPTION FR	C-140/32	C-160/32	C-200/32	REC.
1	ELE MOT 0014	FAN MOTOR	MOTOR VENTILADOR	MOTEUR DE VENTILATION	1	1	1	
2	TOL RAB 1409	TIGHTENING SYSTEM	SISTEMA DE APRIETA	CREMAILLIERE DE TENSION	2	2	2	
3	QUI NCA 0080	SENSOR STRIP	MUELLE TENSOR	RESSORT TENDEUR	2	2	2	
4	MEC RAB 0013	BEARING STRIP	COJINETE TENSOR	PALIER TENDEUR	2	2	2	X
5	ELE DIV 0302	PRESSOSTAT (Only Gas Machine)	PRESOSTATO	PRESSOSTAT (Machine Gaz uniquement)	1	1	1	X
6	ELE INT 0016	EMERGENCY SWITCH	SETA DE EMERGENCIA	ARRET D'URGENCE	1	1	1	X
7	ELE ELE 0061	STICKER	ADHESIVO	PLASTRON	1	1	1	
8	ELE ELE 0089	MICROPROCESSOR CARD	TARJETA MICROPROCESADOR	CARTE MICROPROCESSEUR	1	1	1	X
9	MEC RAB 0017	BEARING	COJINETE	PALIER	5	5	5	X
10	ELE ELE 0100	TABLET SAFETY SWITCH INSULATIBG	AISLANTE CONTACTO SEGURIDAD BARRA	ISOLANT CONTACT SECURITE TABLETTE	1	1	1	
11	ELE ELE 0099	TABLET SAFETY SWITCH	CONTACTO SEGURIDAD BARRA	CONTACT SECURITE TABLETTE	1	1	1	X
	ELE ELE 0055	FREQUENCY INVERTER	VARIADOR DE FRECUENCIA	VARIATEUR DE FREQUENCE (230VAC)	1	1	1	X
12	ELE ELE 0056	FREQUENCY INVERTER	VARIADOR DE FRECUENCIA	VARIATEUR DE FREQUENCE (110VAC)	1	1	1	X
	ELE ELE 0081	FREQUENCY INVERTER (SMART OPTION)	VARIADOR DE FRECUENCIA (OPCIÓN SMART)	VARIATEUR DE FREQUENCE (OPTION SMART)	1	1	1	X

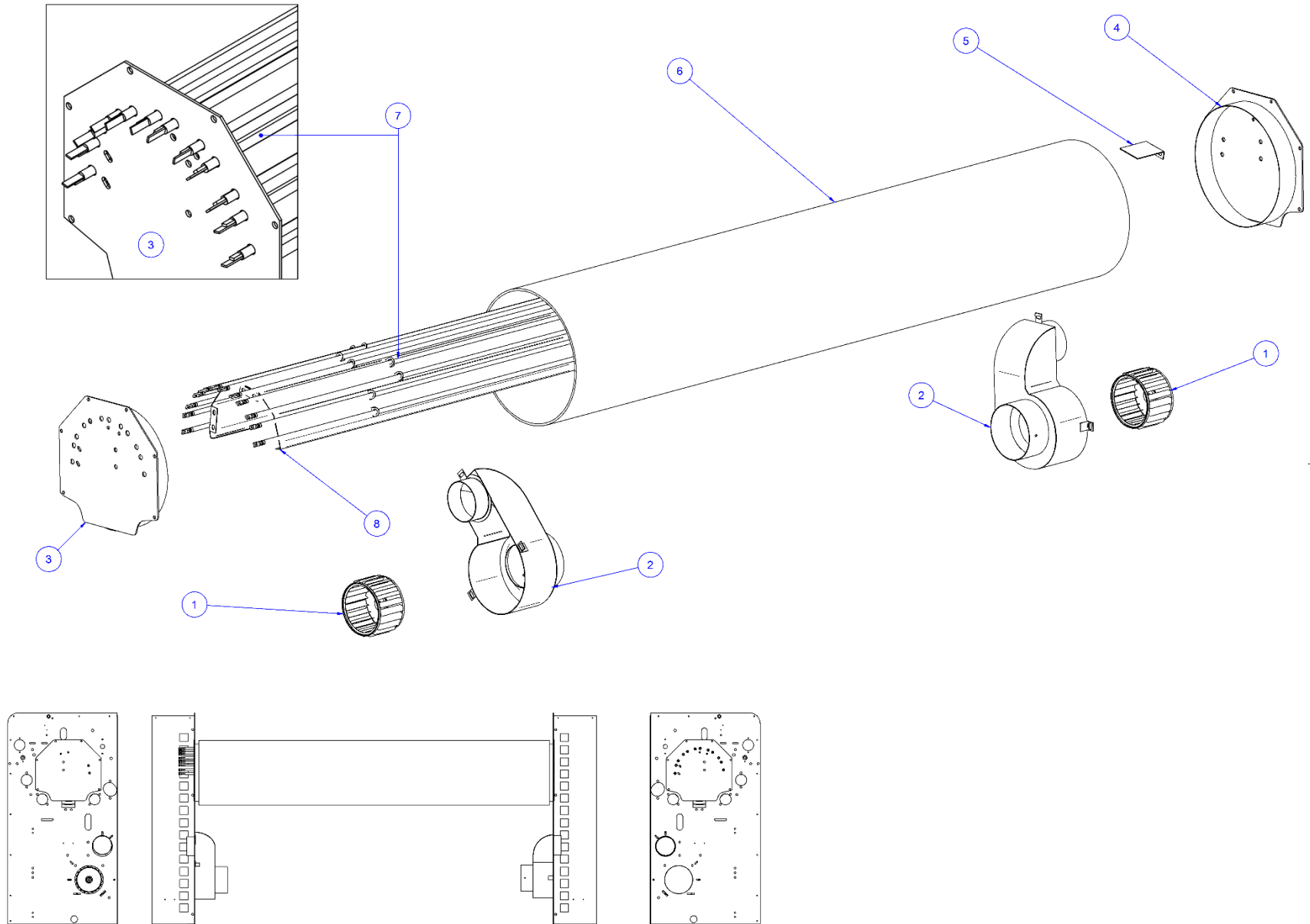
RIGHT SIDE / LADO DERECHO / COTE DROIT



RIGHT SIDE / LADO DERECHO / COTE DROIT

ITEM	REFERENCE	DESCRIPTION EN	DESCRIPTION SP	DESCRIPTION FR	C-140/32	C-160/32	C-200/32	REC.
1	MEC RAB 0017	BEARING	COJINETE	PALIER	5	5	5	X
2	MEC RAB 0013	BEARING STRIP	COJINETE TENSOR	PALIER TENDEUR	2	2	2	X
3	QUI NCA 0080	TENSOR STRIP	MUELLE TENSOR	RESSORT TENDEUR	2	2	2	
4	TOL RAB 1409	TIGHTENING SYSTEM	SISTEMA DE APRIETA	CREMAILLIERE DE TENSION	2	2	2	
5	ELE DIV 0302	PRESSOSTAT (Only Gas Machine)	PRESOSTATO	PRESSOSTAT (Machine Gaz uniquement)	1	1	1	X
6	ELE MOT 0014	FAN MOTOR	MOTOR VENTILADOR	MOTEUR DE VENTILATION	1	1	1	
7	MEC RAB 0019	DRIVE CHAIN MOTOR	CADENA MOTOR DE ARRASTRE	CHAINE MOTEUR D'ENTRAINEMENT	1	1	1	
8	MEC RAB 0032	PRESSURE ROLL CHAIN	CADENA DE TRANSPORTE RODILLO TENSOR	CHAINE D'ENTRAINEMENT SATELLITE PRESSEUR	1	1	1	
9	ELE-RED-0023	MOTOREDUCTOR	MOTOREDUCTOR	MOTOREDUCTEUR	1	1	1	X
10	ELE ELE 0099	CRANK SAFETY SWITCH	CONTACTO SEGURIDAD MANIVELA	CONTACT SECURITE MANIVELLE	1	1	1	X
11	TOL RAB 1405	CRANK SAFETY FIXATION BRACKET	FIJACIÓN SEGURIDAD MANIVELA	EQUERRE FIXATION SECURITE MANIVELLE	1	1	1	
12	MEC-RAB-0011	DRIVING ROLL IDLING PINION 18 TEETH	PIÑÓN DE LA PUNTA RODILLO 18 DIENTES	PIGNON DE RENVOI SATELLITE D'ENTRAINEMENT 18 DENTS	1	1	1	
13	MEC-RAB-0012	PRESSURE ROLL PINION 21 TEETH	PIÑÓN RODILLO TENSOR 21 DIENTES	PIGNON SATELLITE PRESSEUR 21 DENTS	1	1	1	
14	MEC-RAB-0009	FEEDER ROLL PINION 23 TEETH	PIÑÓN RODILLO INTRODUCCIÓN 23 DIENTES	PIGNON SATELLITE D'ENGAGEMENT 23 DENTS	1	1	1	
15	MEC-RAB-0010	DRIVING ROLL PINION 23 TEETH	PIÑÓN RODILLO DE TRANSPORTE 23 DIENTES	PIGNON SATELLITE D'ENTRAINEMENT 23 DENTS	1	1	1	
16	MEC-RAB-0033	TENSION PINION 15 TEETH	PIÑÓN TENSOR 15 DIENTES	PIGNON TENDEUR 15 DENTS	1	1	1	
17	MEC TOU 0016	MOTOR PINION 12 TEETH	PIÑÓN MOTOR 12 DIENTES	PIGNON MOTEUR 12 DENTS	1	1	1	

ELECTRICAL HEATING / CALEFACCION ELECTRICA / CHAUFFAGE ELECTRIQUE



ELECTRICAL HEATING / CALEFACCION ELECTRICA / CHAUFFAGE ELECTRIQUE

ITEM	REFERENCE	DESCRIPTION EN	DESCRIPTION SP	DESCRIPTION FR	C-140/32	C-160/32	C-200/32	REC.
1	MEC RAB 0016	FAN	TURBINA VENTILACIÓN	TURBINE DE VENTILATION	1 ; 2	1 ; 2	2	
2	TOL DEL.2 1402	VENTILATION WINDING	CAJA DE VENTILACIÓN	ESCARGOT DE VENTILATION	1 ; 2	1 ; 2	2	
3	TOL RAB 1414	LEFT SIDE FLANGE (ELEC)	FLANCO IZQUIERDO (ELEC)	FLASQUE COTE GAUCHE (ELEC)	1	1	1	
4	TOL RAB 1456	RIGHT SIDE FLANGE (ELEC)	FLANCO DERECHO (ELEC)	FLASQUE COTE DROIT (ELEC)	1	1	1	
5	TOL RAB 1415	HEATING ELEMENT SUPPORT FIXATION BRACKET	FIJACIÓN SOPORTE RESISTANCIA	EQUERRE FIXATION SUPPORT RESISTANCE	1	1	1	
	TOL RAB 1432	IRONING CYLINDER (ELEC AND GAS)	CILINDRO DE REPASSO (ELEC GAS)	CYLINDRE DE REPASSAGE (ELEC et GAZ)	1			
6	TOL RAB 1610	IRONING CYLINDER (ELEC AND GAS)	CILINDRO DE REPASSO (ELEC GAS)	CYLINDRE DE REPASSAGE (ELEC et GAZ)		1		
	TOL RAB 2009	IRONING CYLINDER (ELEC AND GAS)	CILINDRO DE REPASSO (ELEC GAS)	CYLINDRE DE REPASSAGE (ELEC et GAZ)			1	
	ELE RES 0005	HEATING ELEMENT	RESISTANCIA ELECTRICA	RESISTANCE ELECTRIQUE	6			
7	ELE RES 0006	HEATING ELEMENT	RESISTANCIA ELECTRICA	RESISTANCE ELECTRIQUE		6		
	ELE RES 0008	HEATING ELEMENT	RESISTANCIA ELECTRICA	RESISTANCE ELECTRIQUE			6	
	TOL RAB 1435	HEATING ELEMENT SUPPORT 140	SOPORTE RESISTANCIA 140	SUPPORT RESISATNCE 140	1			
8	TOL RAB 1613	HEATING ELEMENT SUPPORT 160	SOPORTE RESISTANCIA 160	SUPPORT RESISATNCE 160		1		
	TOL RAB 2012	HEATING ELEMENT SUPPORT 200	SOPORTE RESISTANCIA 200	SUPPORT RESISATNCE 200			1	

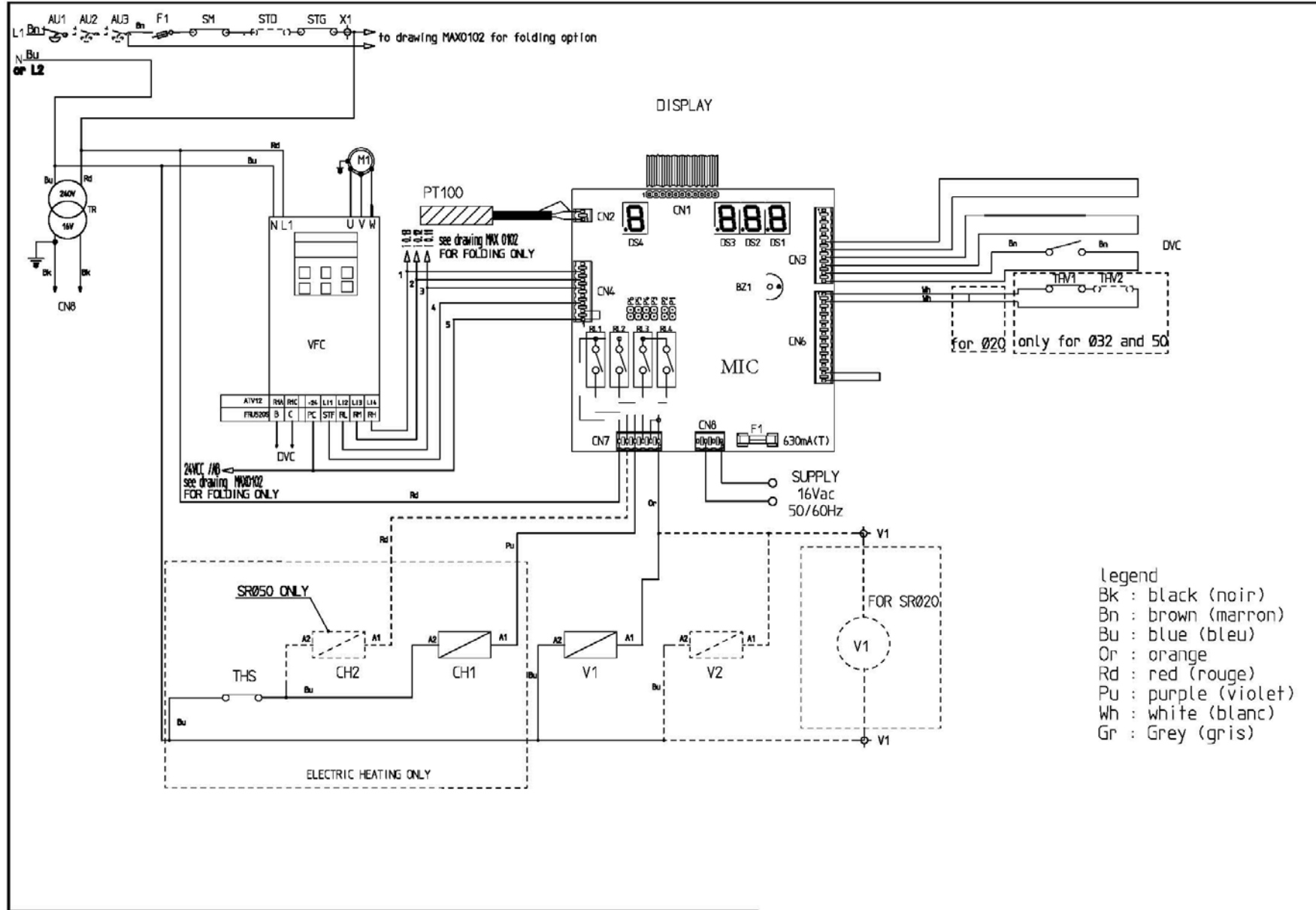
GAS HEATING (Atmospheric) / CALEFACCION GAS (Atmosférico) / CHAUFFAGE GAZ (Atmosphérique)

ITEM	REFERENCE	DESCRIPTION EN	DESCRIPTION SP	DESCRIPTION FR				REC.
					C-140/32	C-160/32	C-200/32	
1	MEC RAB 0016	FAN	TURBINA VENTILACIÓN	TURBINE DE VENTILATION	1 ; 2	1 ; 2	2	
2	TOL DEL.2 1402	VENTILATION WINDING	CAJA DE VENTILACIÓN	ESCARGOT DE VENTILATION	1 ; 2	1 ; 2	2	
3	TOL RAB 1421	TUBE FIXING ELEMENT	TUBO DE SOPORTE DE MONTAJE	PATTE FIXATION PIPE	1	2	2	
4	TOL RAB 1420	EXHAUST GAS TUBE	CONDUCTO EVACUACIÓN GASES	PIPE D EVACUATION DES GAZ	1	2	2	
5	TOL RAB 1449	ISOLATING SUPPORT	SOPORTE DE AISLAMIENTO	PATTE MAINTIENT DE L ISOLANT	2	2	2	
6	QUI NCA 0034	INSULATING SHEET	PLACA AISLANTE	PLAQUE ISOLANTE	2	2	2	
7	TOL RAB 1455	LEFT FLANGE (GAS)	FLANCO IZQUIERDO (GAS)	FLASQUE GAUCHE (GAZ)	1	1	1	
8	TOL RAB 1416	RIGHT FLANGE (GAS)	FLANCO DERECHO (GAS)	FLASQUE DROIT (GAZ)	1	1	1	
	TOL RAB 1419	EXHAUST TUBE	CONDUCTO EVACUACIÓN GASES	CONDUIT EVACUATION GAZ BRULES	1			
9	TOL RAB 1619	EXHAUST TUBE	CONDUCTO EVACUACIÓN GASES	CONDUIT EVACUATION GAZ BRULES		1		
	TOL RAB 2019	EXHAUST TUBE	CONDUCTO EVACUACIÓN GASES	CONDUIT EVACUATION GAZ BRULES			1	
10	TOL RAB 1417	GAS BURNER SUPPORT	SOPORTE RAMPA GAS	SUPPORT RAMPE GAZ	1	1	1	
11	TOL RAB 1453	BURNER SUPPORT EXTEND	SOPORTE RAMPA GAS EXTENSION	RALLONGE SUPPORT RAMPE GAZ	1	1	1	
12	TOL RAB 1446	RIGHT GAS DEFLECTOR	DEFLECTOR GAS DERECHO	DEFLECTEUR GAZ DROIT	1	1	1	
13	TOL RAB 1452	GAS DEFLECTOR	DEFLECTOR GAS	DEFLECTEUR GAZ	2	2	2	
	TOL RAB 1432	IRONING CYLINDER (ELEC AND GAS)	CILINDRO DE REPASSO (ELEC GAS)	CYLINDRE DE REPASSAGE (ELEC et GAZ)	1			
14	TOL RAB 1610	IRONING CYLINDER (ELEC AND GAS)	CILINDRO DE REPASSO (ELEC GAS)	CYLINDRE DE REPASSAGE (ELEC et GAZ)		1		
	TOL RAB 2009	IRONING CYLINDER (ELEC AND GAS)	CILINDRO DE REPASSO (ELEC GAS)	CYLINDRE DE REPASSAGE (ELEC et GAZ)			1	
15	ELE VAN 0022	GAS ELECTROVALVE (50 HZ)	ELECTROVALVULA GAS (50 HZ)	ELECTROVANNE GAS (50 HZ)	1	1	1	X
	ELE VAN 0027	GAS ELECTROVALVE (60 HZ)	ELECTROVALVULA GAS (60 HZ)	ELECTROVANNE GAS (60 HZ)	1	1	1	X
16	N / A	GAS MIXER	MEZCLADOR	MELANGEUR	1	1	1	
	N / A	NATURAL GAZ INJECTOR 3.3 (USA MODEL)	INYECTOR GAS NATURAL 3.3 (MOD. USA)	INJECTEUR GAZ NATUREL 3.3 (MODELE USA)	1			
	ELE ALL 0020	NATURAL GAZ INJECTOR 4.1 (USA MODEL)	INYECTOR GAS NATURAL 4.1 (MOD. USA)	INJECTEUR GAZ NATUREL 4.1 (MODELE USA)		1		
	ELE ALL 0021	NATURAL GAZ INJECTOR 4.8 (USA MODEL)	INYECTOR GAS NATURAL 4.8 (MOD. USA)	INJECTEUR GAZ NATUREL 4.8 (MODELE USA)			1	
	N / A	LGP GAZ INJECTOR 2.2 (USA MODEL)	INYECTOR GAS PROPANO 2.2 (MOD. USA)	INJECTEUR GAZ PROPANE 2.2 (MODELE USA)	1			
	ELE ALL 0023	LGP GAZ INJECTOR 2.5 (USA MODEL)	INYECTOR GAS PROPANO 2.5 (MOD. USA)	INJECTEUR GAZ PROPANE 2.5 (MODELE USA)		1		
17	ELE ALL 0024	LGP GAZ INJECTOR 3.0 (USA MODEL)	INYECTOR GAS PROPANO 3.0 (MOD. USA)	INJECTEUR GAZ PROPANE 3.0 (MODELE USA)			1	
	ELE ALL 0026	NATURAL GAZ INJECTOR 2.8 (CE MODEL)	INYECTOR GAS NATURAL 2.8 (MOD. CE)	INJECTEUR GAZ NATUREL 2.8 (MODELE CE)	1			
	ELE ALL 0027	NATURAL GAZ INJECTOR 3.5 (CE MODEL)	INYECTOR GAS NATURAL 3.5 (MOD. CE)	INJECTEUR GAZ NATUREL 3.5 (MODELE CE)		1		
	ELE ALL 0028	NATURAL GAZ INJECTOR 4.0 (CE MODEL)	INYECTOR GAS NATURAL 4.0 (MOD. CE)	INJECTEUR GAZ NATUREL 4.0 (MODELE CE)			1	
	ELE ALL 0029	LGP GAZ INJECTOR 1.9 (CE MODEL)	INYECTOR GAS PROPANO 1.9 (MOD. CE)	INJECTEUR GAZ PROPANE 1.9 (MODELE CE)	1			
	ELE ALL 0030	LGP GAZ INJECTOR 2.4 (CE MODEL)	INYECTOR GAS PROPANO 2.4 (MOD. CE)	INJECTEUR GAZ PROPANE 2.4 (MODELE CE)		1		
	ELE ALL 0031	LGP GAZ INJECTOR 2.7 (CE MODEL)	INYECTOR GAS PROPANO 2.7 (MOD. CE)	INJECTEUR GAZ PROPANE 2.7 (MODELE CE)			1	
18	QUI NCA 0182	ELBOW	CODO	COUDE	1	1	1	
19	ELE ALL 0006	IGNITOR	ENCENDEDOR	BOUGIE D'ALLUMAGE	1	1	1	X
20	TOL TOU 1920	IGNITOR SUPPORT BRACKET	FIJACIÓN SOPORTE ENCENDEDOR	EQUERRE SUPPORT BOUGIE D'ALLUMAGE	1	1	1	
	QUI NCA 0237	GAS BURNER	RAMPA GAS	RAMPE GAZ	1			
21	QUI NCA 0095	GAS BURNER	RAMPA GAS	RAMPE GAZ		1		
	QUI NCA 0305	GAS BURNER	RAMPA GAS	RAMPE GAZ			1	
22	TOL RAB 1451	LEFT GAS DEFLECTOR	DEFLECTOR GAS IZQUIERDO	DEFLECTEUR GAZ GAUCHE	1	1	1	
23	QUI NCA 0176	15/21 BRASS UNION	PEZON 15/21	MAMELON 15/21 LAITON	1	1	1	
24	ELE DIV 0302	PRESSOSTAT	PRESOSTATO	PRESSOSTAT	1	2	2	X
25	QUI NCA	PIPE	TUBO	TUBE	1	2	2	

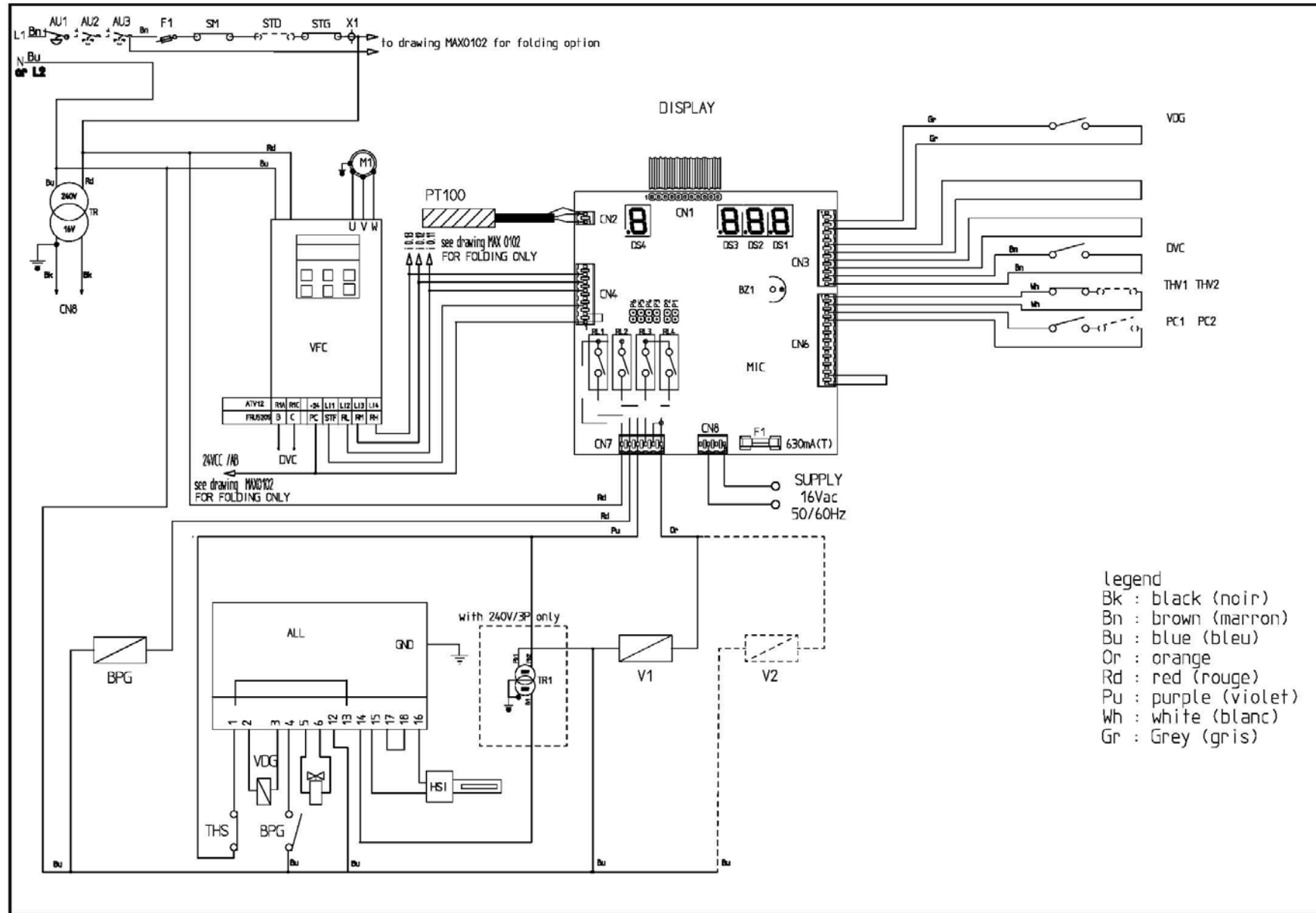
RADIANT BURNER - GAS HEATING / CALEFACCION GAS – RADIANT BURNER / CHAUFFAGE GAZ - RADIANT BURNER

ITEM	REFERENCE	DESCRIPTION EN	DESCRIPTION SP	DESCRIPTION FR	C-140/32	C-160/32	C-200/32	REC.
1	MEC RAB 0016	FAN	TURBINA VENTILACIÓN	TURBINE DE VENTILATION	1 ; 2	1 ; 2	2	
2	TOL DEL.2 1402	VENTILATION WINDING	CAJA DE VENTILACIÓN	ESCARGOT DE VENTILATION	1 ; 2	1 ; 2	2	
3	TOL RAB 1421	TUBE FIXING ELEMENT	TUBO DE SOPORTE DE MONTAJE	PATTE FIXATION PIPE	1	2	2	
4	TOL RAB 1420	EXHAUST GAS TUBE	CONDUCTO EVACUACIÓN GASES	PIPE D EVACUATION DES GAZ	1	2	2	
5	TOL RAB 1449	ISOLATING SUPPORT	SOPORTE DE AISLAMIENTO	PATTE MAINTIENT DE L ISOLANT	2	2	2	
6	QUI NCA 0034	INSULATING SHEET	PLACA AISLANTE	PLAQUE ISOLANTE	2	2	2	
7	TOL RAB 1455	LEFT FLANGE (GAS)	FLANCO IZQUIERDO (GAS)	FLASQUE GAUCHE (GAZ)	1	1	1	
8	TOL RAB 1416	RIGHT FLANGE (GAS)	FLANCO DERECHO (GAS)	FLASQUE DROIT (GAZ)	1	1	1	
	TOL RAB 1419	EXHAUST TUBE	CONDUCTO EVACUACIÓN GASES	CONDUIT EVACUATION GAZ BRULES	1			
9	TOL RAB 1619	EXHAUST TUBE	CONDUCTO EVACUACIÓN GASES	CONDUIT EVACUATION GAZ BRULES		1		
	TOL RAB 2019	EXHAUST TUBE	CONDUCTO EVACUACIÓN GASES	CONDUIT EVACUATION GAZ BRULES			1	
10	TOL RAB 1417	GAS BURNER SUPPORT	SOPORTE RAMPA GAS	SUPPORT RAMPE GAZ	1	1	1	
11	TOL RAB 1453	BURNER SUPPORT EXTEND	SOPORTE RAMPA GAS EXTENSION	RALLONGE SUPPORT RAMPE GAZ	1	1	1	
12	TOL RAB 1446	RIGHT GAS DEFLECTOR	DEFLECTOR GAS DERECHO	DEFLECTEUR GAZ DROIT	1	1	1	
13	TOL RAB 1452	GAS DEFLECTOR	DEFLECTOR GAS	DEFLECTEUR GAZ	2	2	2	
	TOL RAB 1432	IRONING CYLINDER (ELEC AND GAS)	CILINDRO DE REPASSO (ELEC GAS)	CYLINDRE DE REPASSAGE (ELEC et GAZ)	1			
14	TOL RAB 1610	IRONING CYLINDER (ELEC AND GAS)	CILINDRO DE REPASSO (ELEC GAS)	CYLINDRE DE REPASSAGE (ELEC et GAZ)		1		
	TOL RAB 2009	IRONING CYLINDER (ELEC AND GAS)	CILINDRO DE REPASSO (ELEC GAS)	CYLINDRE DE REPASSAGE (ELEC et GAZ)			1	
	QUI NCA 0636	GAS BURNER	RAMPA GAS	RAMPE GAZ	1			
15	QUI NCA 0637	GAS BURNER	RAMPA GAS	RAMPE GAZ		1		
	QUI NCA 0638	GAS BURNER	RAMPA GAS	RAMPE GAZ			1	
16	CONSULT.	ELECTRODE	ELECTRODO	ELECTRODE	1	1	1	X
17	TOL RAB 1451	LEFT GAS DEFLECTOR	DEFLECTOR GAS IZQUIERDO	DEFLECTEUR GAZ GAUCHE	1	1	1	
18	ELE DIV 0302	PRESSOSTAT	PRESOSTATO	PRESSOSTAT	1	2	2	
19	QUI NC 0429	PIPE	TUBO	TUBE	1	2	2	
20	QUI NCA 0642	GAS AIR GROUP	GRUPO AERO GAZ	GROUPE AIR GAZ	1	1	1	

ELECTRICAL DIAGRAM - ELECTRICAL AND STEAM HEATING



ELECTRICAL DIAGRAM - GAS HEATING



LEGEND AND REFERENCES OF ELECTRICAL COMPONENTS / LEYENDA Y REFERENCIAS / DE LOS COMPONENTES ELECTRICOS /
LEGENDE ET REFERENCES DES COMPOSANTS ELECTRIQUES

ITEM	REFERENCE	DESCRIPTION EN	DESCRIPTION SP	DESCRIPTION FR	C-140/32	C-160/32	C-200/32	REC
ALL	ELE ALL 0005	GAS LIGHTING DEVICE 230V	MECHERO DE GAZ 230V	ALLUMEUR GAZ 230V	1	1	1	X
ALL	ELE ALL 0009	GAS LIGHTING DEVICE 110V	MECHERO DE GAZ 110V	ALLUMEUR GAZ 110V	1	1	1	X
AU1	ELE INT 0016	EMERGENCY SWITCH	SETA DE EMERGENCIA	ARRET D'URGENCE	1	1	1	X
BPG	ELE ELE 0101	GAS RESET RELAY	RELE RESET GAZ	RELAIS RESET GAZ	1	1	1	X
CH1	ELE CON 0047	HEATING CONTACTOR (ELEC. 400V)	CONTACTOR CALENTAMIENTO (ELEC. 400V)	CONTACTEUR DE CHAUFFE (ELEC. 400V)	1	1		X
CH1	ELE CON 0059	HEATING CONTACTOR (ELEC. 400V)	CONTACTOR CALENTAMIENTO (ELEC. 400V)	CONTACTEUR DE CHAUFFE (ELEC. 400V)			1	X
CH1	ELE CON 0059	HEATING CONTACTOR (ELEC. 230V)	CONTACTOR CALENTAMIENTO (ELEC. 230V)	CONTACTEUR DE CHAUFFE (ELEC. 230V)	1			X
CH1	ELE CON 0046	HEATING CONTACTOR (ELEC. 230V)	CONTACTOR CALENTAMIENTO (ELEC. 230V)	CONTACTEUR DE CHAUFFE (ELEC. 230V)		1	1	X
DVC	REFER TO VFC	INVERTER FAULT CONTACT	CONTACT DEFECTO VARIADOR	CONTACT DEFAUT VARIATEUR VFC	1	1	1	
EVG	ELE VAN 0022	GAS ELECTROVALVE (50 HZ)	ELECTROVALVULA GAS (50 HZ)	ELECTROVANNE GAZ (50 HZ)	1	1	1	X
EVG	ELE VAN 0027	GAS ELECTROVALVE (60 HZ)	ELECTROVALVULA GAS (60 HZ)	ELECTROVANNE GAZ (60HZ)	1	1	1	X
F1	ELE DIV 0101	FUSE 6A	FUSIBLE 6A	FUSIBLE 6A GG	1	1	1	X
HSI	ELE ALL 0006	IGNITOR	ENCENDEDOR	BOUGIE D'ALLUMAGE	1	1	1	X
M1	ELE RED 0023	MOTOREDUCTOR	MOTOREDUCTOR	MOTOREDUCTEUR	1	1	1	X
MIC	ELE ELE 0089	MICROPROCESSOR CARD	TARJETA MICROPROCESADOR	CARTE MICROPROCESSUER	1	1	1	X
PC	ELE DIV 0302	PRESSOSTAT (Only Gas Machine)	PRESOSTATO	PRESSOSTAT (Machine Gaz uniquement)	2	2	2	X
PT100	ELE ELE 0098	PROBE SENSOR	SONDA DE TEMPERATURA	SONDE DE TEMPERATURE	1	1	1	X
SM	ELE ELE 0099	CRANK SAFETY SWITCH	CONTACTO SEGURIDAD MANIVELA	CONTACT SECURITE MANIVELLE	1	1	1	X
STD	ELE ELE 0099	TABLET SAFETY SWITCH	CONTACTO SEGURIDAD BARRA	CONTACT SECURITE TABLETTE	1	1	1	X
STG	ELE ELE 0099	TABLET SAFETY SWITCH	CONTACTO SEGURIDAD BARRA	CONTACT SECURITE TABLETTE	1	1	1	X
THV1	ELE CON 0047	FAN MOTOR THERMIC RELAY	RELE TERMICO MOTOR VENTILADOR	RELAIS THERMIQUE MOTEUR DE VENTILATION	1	1	1	
THV2	ELE CON 0047	FAN MOTOR THERMIC RELAY	RELE TERMICO MOTOR VENTILADOR	RELAIS THERMIQUE MOTEUR DE VENTILATION	0;1	1	1	
THS	ELE THE 0002	SAFETY THERMOSTAT	THERMOSTATO DE SEGURIDAD	THERMOSTAT DE SECURITE	1	1	1	X
TR	ELE ELE 0097	TRANSFORMATOR 230V/16V	TRANSFORMADOR 230V/16V	TRANSFORMATEUR 230V/16V	1	1	1	X
TR1	ELE DIV 0216	TRANSFORMATOR 230V/230V (230VTRI)	TRANSFORMADOR 230V/230V (230V TRI)	TRANSFORMATEUR 230V/230V (230V TRI)	1	1	1	
V1,V2	ELE CON 0047	FAN MOTOR CONTACTOR	CONTACTOR MOTOR VENTILADOR	CONTACTEUR MOTEUR DE VENTILATION	0;1	1	1	
VDG	ELE ELE 0101	GAS FAULT RELAY	RELE DEFECTO GAZ	RELAIS DEFAUT GAZ	1	1	1	
VFC	ELE ELE 0055	FREQUENCY INVERTER	VARIADOR DE FRECUENCIA	VARIATEUR DE FREQUENCE (230VAC)	1	1	1	X
VFC	ELE ELE 0056	FREQUENCY INVERTER	VARIADOR DE FRECUENCIA	VARIATEUR DE FREQUENCE (110VAC)	1	1	1	X
VFC	ELE ELE 0081	FREQUENCY INVERTER (SMART OPTION)	VARIADOR DE FRECUENCIA (OPCIÓN SMART)	VARIATEUR DE FREQUENCE (OPTION SMART)	1	1	1	X