

TECHNICAL DATA	UNIT.	C-200/50	C-260/50	C-330/50
Theoretical production 45% humidity	Kg/h	50-70	60-80	80-120
Ø Roll	mm	500	500	500
Working width	mm	2000	2600	3300
Height floor-feeding belts	mm	1030	1030	1030
Working speed	mt/min	1,5-8	1,5-8	1,5-8
Electronic control	-	Yes	Yes	Yes
No. Programs	Nº	7	7	7
Length folder	Nº	No	No	No

#### POWER

Heating power (electric model)	kW	31,5	40,5	54
Total electric power (electric model)	kW	32,12	41,37	54,87
Heating power (gas model)	kW	40	55	69
Total electric power (gas model)	kW	0,87	0,87	0,87
Heating power (steam model)	kW	50	64	81
Total electric power (steam model)	kW	0,62	0,87	0,87
Roll motor power	kW	0,37	0,37	0,37
Fan motor power	kW	0,25 (gas x2)	0,25 (gas x2)	0,25 (gas x2)

#### CONNECTIONS

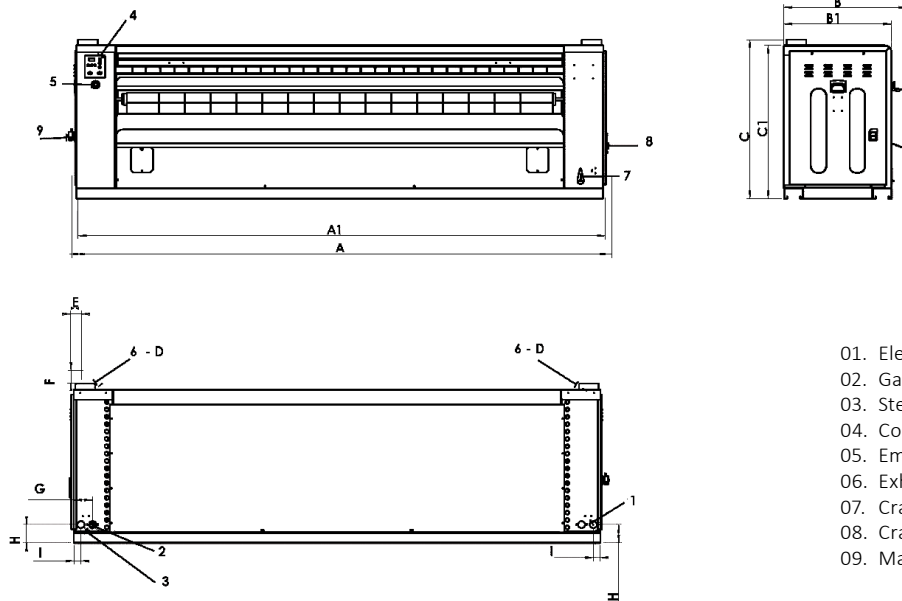
		ELECTRICAL	STEAM / GAS	ELECTRICAL	STEAM / GAS	ELECTRICAL	STEAM / GAS
Tension 230V- III + T	Nº x mm2 / A	4 x 35 / 100A	4 x 2,5 / 2A	4 x 50 / 125A	4 x 2,5 / 2A	4 x 70 / 160A	4 x 2,5 / 2A
Tension 400V- III + N + T	Nº x mm2 / A	5 x 10 / 50A	5 x 2,5 / 2A	5 x 16 / 63A	5 x 2,5 / 2A	5 x 25 / 100A	5 x 2,5 / 2A
Ø Gas inlet	BSP	1"		1"		1"	
Ø Steam inlet	BSP	3/4"		3/4"		3/4"	
Ø Condensed (Steam models)	BSP	1/2"		1/2"		1/2"	

#### DIMENSIONS / PACKAGING DIMENSIONS

Width / Width	mm	2810/3010	3410/3610	4110/4310
Depth / Depth	mm	835 (956) / 1150	835 (956) / 1150	835 (956) / 1150
Height / Height	mm	1189/1500	1189/1500	1189/1500
Weight / Weight	Kg	925/974	1200/1270	1436/1475
Volume	m3	3,20/5,19	3,88/6,23	4,68/7,43

#### OTHERS

No. Fume outlet	Nº	1 (2 gas)	2	2
Ø Fume outlet	mm	153	153	153
Air flow	m3/h	600 (1200 gas)	1200	1200
Noise Level	dB	63	65	65



- 01. Electrical connection
- 02. Gas or steam inlet
- 03. Steam outlet
- 04. Control panel
- 05. Emergency stop
- 06. Exhaust
- 07. Crank contactor
- 08. Crank
- 09. Main switch

	A	B	C	A1	B1	C1	D	E	F	G	H	I
C-200/50	2810	956	1233	2782	836	1189	Ø 153	88	97	145	143	55
C-260/50	3410	956	1233	3382	836	1189	Ø 153	88	97	145	143	55
C-330/50	4110	956	1233	4082	836	1189	Ø 153	88	97	145	143	55