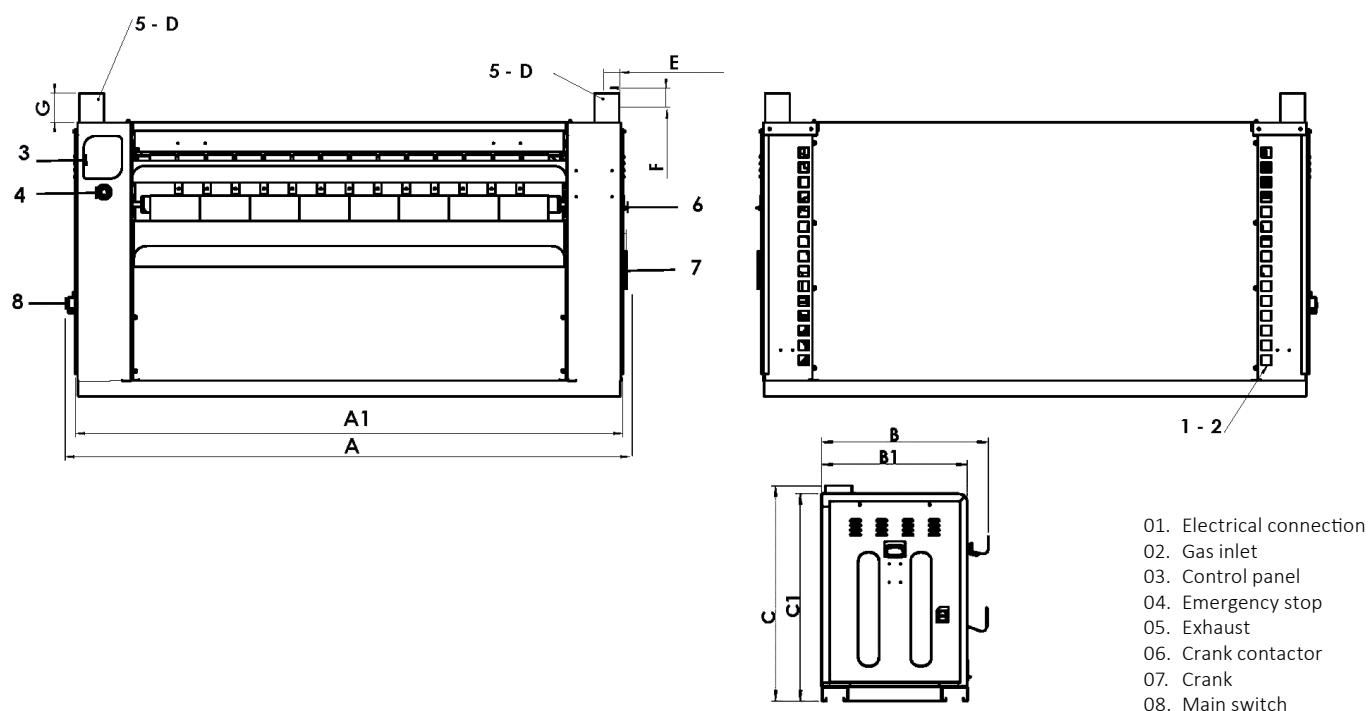


TECHNICAL DATA	UNIT.	C-140/32	C-160/32	C-200/32			
Theoretical production 45% humidity	Kg/h	10-20	20-30	30-40			
Theoretical production 45% humidity. Radiant burner	Kg/h	12-25	25-37	37-50			
Ø Roll	mm	325	325	325			
Working width	mm	1400	1600	2000			
Height floor-feeding belts	mm	990	990	990			
Working speed	mt/min	1-6,5	1-6,5	1-6,5			
POWER							
Heating power (electric model)	kW	12	16	21			
Total electric power (electric model)	kW	12,37	16,57	21,49			
Heating power (gas model)	kW	14	22,5	30			
Total electric power (gas model)	kW	0,37	0,37	0,49			
Roll motor power	kW	0,25	0,25	0,25			
Fan motor power	kW	0,12	0,12	0,12 (x2)			
CONNECTIONS		ELECTRICAL	GAS	ELECTRICAL	GAS	ELECTRICAL	GAS
Tension 230V- III + T	Nº x mm2 / A	4 x 6 / 32A	4 x 2,5 / 2A	4 x 10 / 50A	4 x 2,5 / 2A	4 x 16 / 63A	4 x 2,5 / 2A
Tension 400V- III + N + T	Nº x mm2 / A	5 x 4 / 20A	5 x 2,5 / 2A	5 x 4 / 25A	5 x 2,5 / 2A	5 x 6 / 32A	5 x 2,5 / 2A
Ø Gas inlet	BSP	1/2"		1/2"		1/2"	
DIMENSIONS / PACKAGING DIMENSIONS							
Width / Width	mm	1960/2340	2210/2340	2560/2780			
Depth / Depth	mm	644/770	644/770	644/770			
Height / Height	mm	1107/1400	1107/1400	1107/1400			
Weight / Weight	Kg	300/335	355/375	405/428			
Volume	m3	1,40/2,52	1,58/2,52	1,83/3,00			
OTHERS							
No. Fume outlet	Nº	1 (2 gas)	1 (2 gas)	2			
Ø Fume outlet	mm	98	98	98			
Air flow	m3/h	500 (1000 gas)	500 (1000 gas)	1000			
Sound Level	dB	60	60	63			



	A	B	C	A1	B1	C1	D	E	F	G
C-140/32	2030	644	1247	1960	546	1107	Ø 98	66	77	140
C-160/32	2280	644	1247	2210	546	1107	Ø 98	66	77	140
C-200/32	2630	644	1247	2560	546	1107	Ø 98	66	77	140