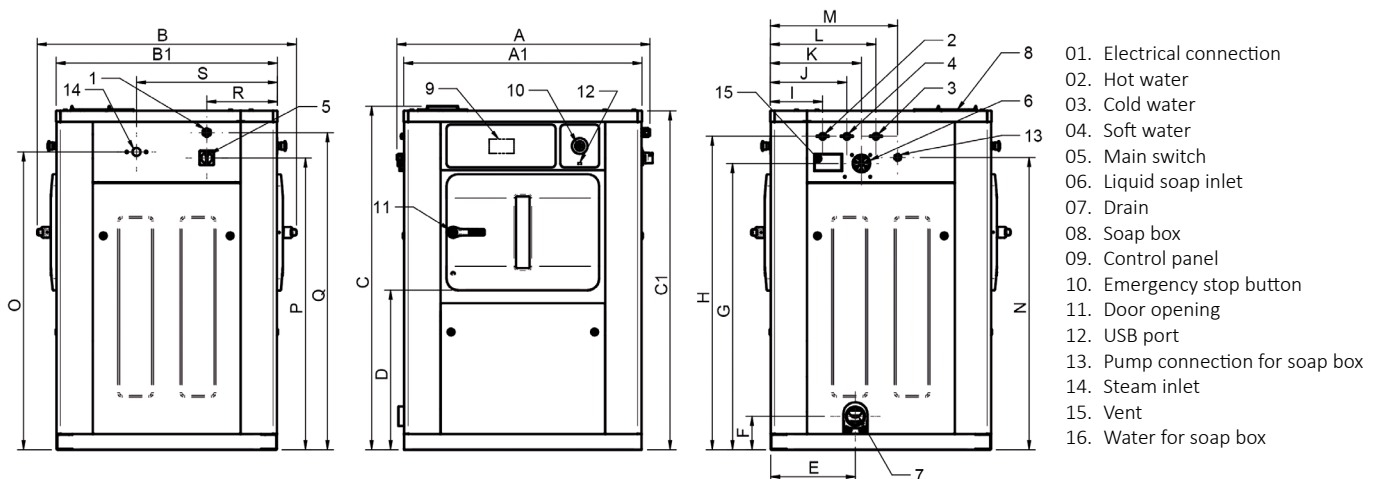


TECHNICAL DATA	UNIT.	LCA-50 T
DRUM		
Capacity 1:9 / 1:10	Kg	54 / 49
Volume	l	489
Diameter	mm	800
Depth	mm	974
Number of compartments	Nº.	1
GENERAL DETAILS		
Washing speed / Spining speed	r.p.m.	45 / 900
G Force	-	360
Microprocessor	-	Standard
Double drain	-	Option
DOOR		
Drum door dimensions	mm	450 x 320
Vat door dimensions	mm	510 x 460
Height base door	mm	798
POWER		
Motor	kW	5.5
Electric heating	kW	36
Max. power (electric heating)	kW	41.5
Max. power (hot water model)	kW	5.5
Max. power (hot water model)	kW	5.5
CONNECTIONS		
Water inlets	inch	1
Steam inlet	inch	3/4
Drain	mm/inch	80 / 3"
MACHINE DIMENSIONS / PACKING DIMENSIONS		
Length / Length	mm	1.596 / 1.750
Width / Width	mm	1.056 / 1.300
Height / Height	mm	1.660 / 1.800
Net weight / Gross weight	kg	1.300 / 1.520
Volume	m³	4.10



	A	B	C	A1	B1	C1	D	E	F	G	H	I	J	K	L	M	N	O	P	Q	R	S
LCA-50	1679	1190	1662	1602	1062	1660	798	528	152	1423	1478	1543	262	342	422	542	672	782	1403	1553	296	-